

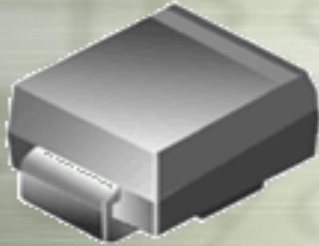
SS14 / SS34 Products



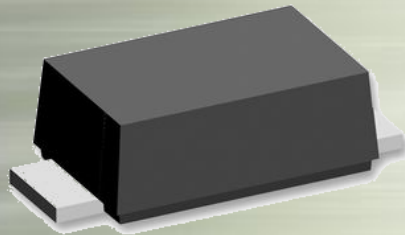
Contents

- Product Part Number
- Package Outline
- Product Features
- Product Specification Summary

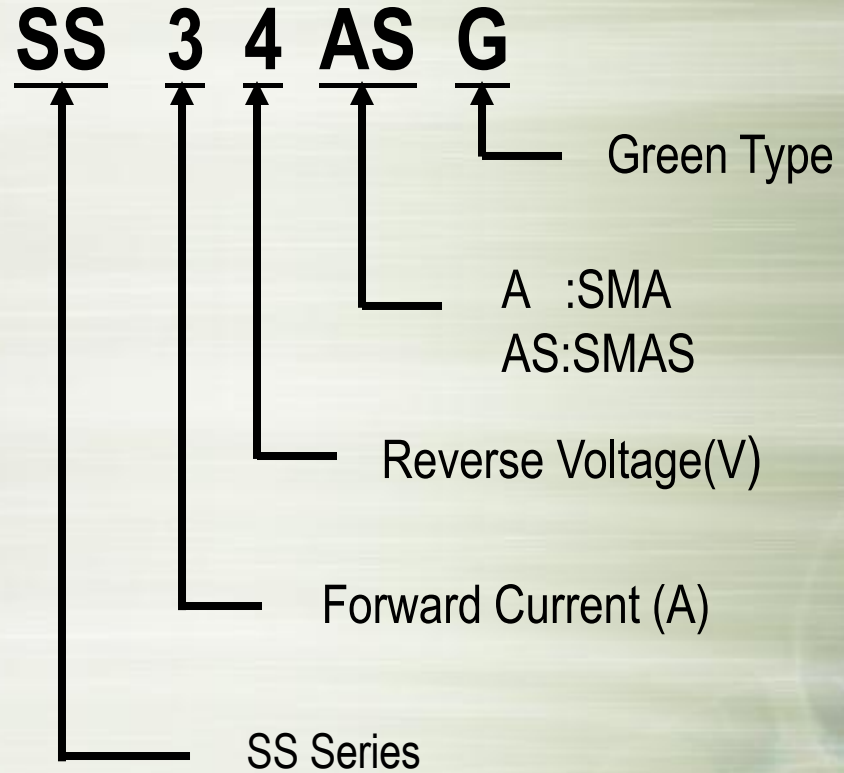
Product Part Number



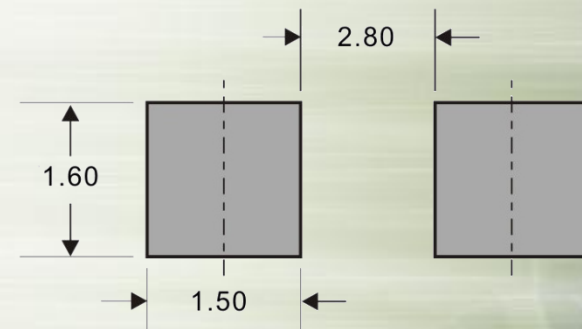
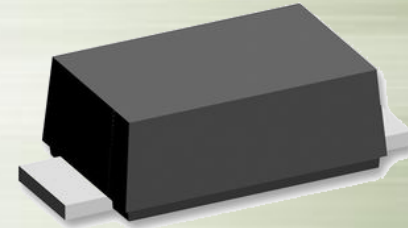
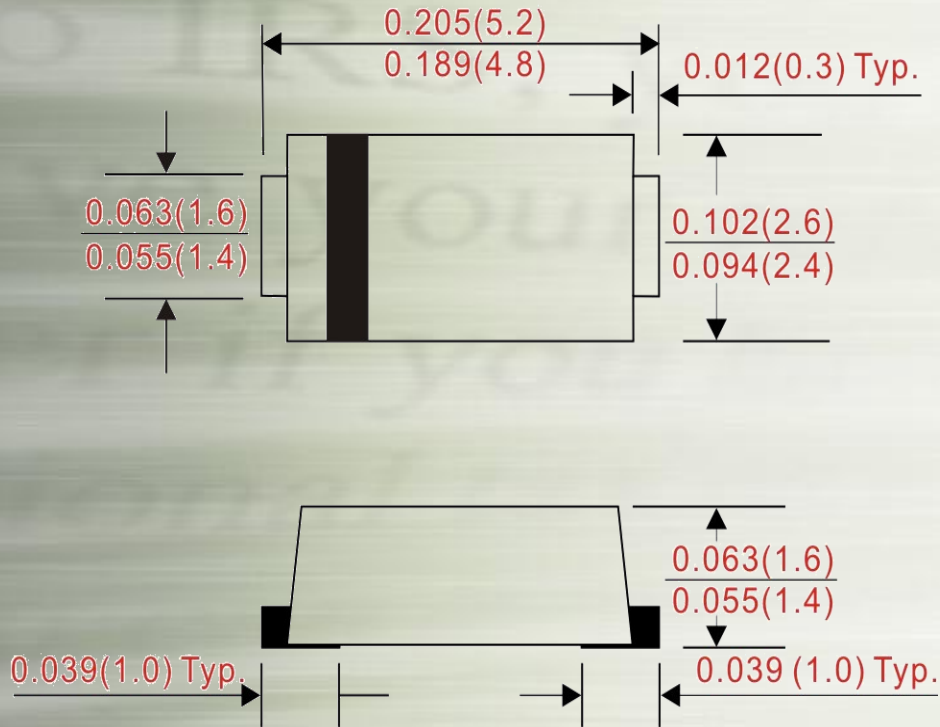
SMA Package



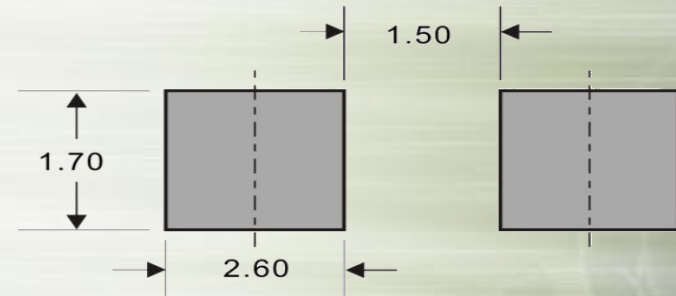
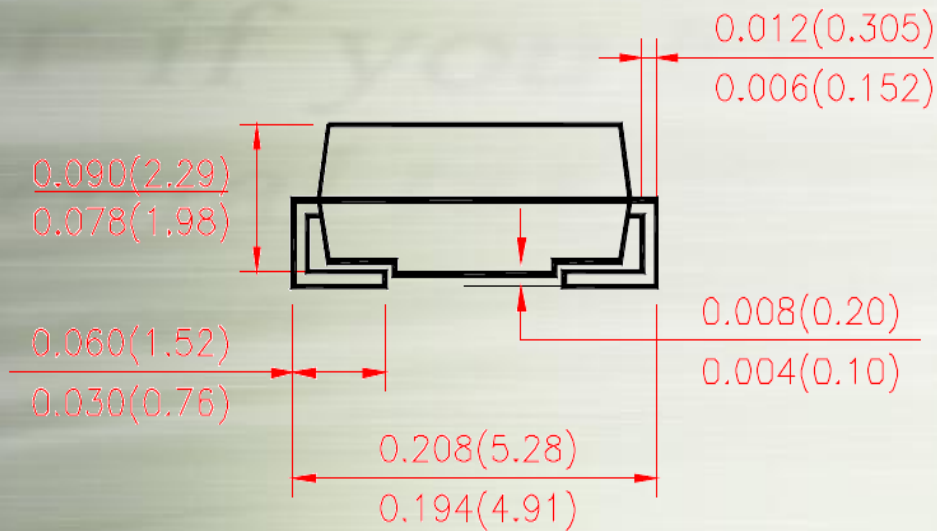
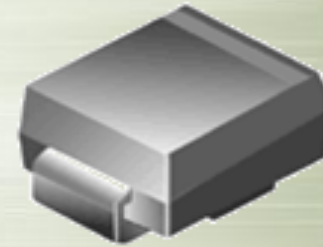
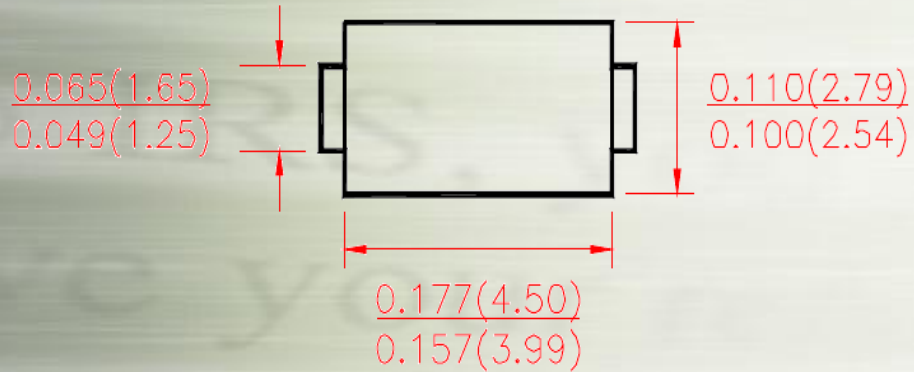
SMAS Package



SMAS Package Outline



SMA Package Outline



Product spec

Part Number	IO(A)	VR(V)	Max Forward Voltage @ 25C		Max Reverse Current@ 25C		Package
			VFM(V)	IFM(A)	IR(uA)	VR(V)	
SS14AG	1.0	40	0.32	0.1	50	4.0	SMA
			0.45	1.0	75	6.0	
			0.75	3.0	500	40	
SS14ASG	1.0	40	0.32	0.1	50	4.0	SMAS
			0.45	1.0	75	6.0	
			0.75	3.0	500	40	

Product spec

Part Number	IO(A)	VR(V)	Max Forward Voltage @ 25C		Max Reverse Current@ 25C		Package
			VFM(V)	IFM(A)	IR(uA)	VR(V)	
SS34AG	3.0	40	0.34	0.5	500	40	SMA
			0.39	1.0			
			0.47	3.0			
SS34ASG	3.0	40	0.34	0.5	500	40	SMAS
			0.39	1.0			
			0.47	3.0			

Product Features

- Low forward voltage drop
- High Surge Capability and High Current Capability
- For Surface Mounted Applications
- High Conductance
- Guard Ring Construction for Transient Protection

Applications

Computer

Notebook
Desktop computer
Ultra book
Slim Computer
Motherboard

Communication

ADSL
Set-top Box
Wireless

Consumer

DVD Player
LED TV/Monitor
LCD TV/Monitor
Home Appliance
Audio applications
DC-DC Converter
AC-DC Converter
Electronic Toys
Adaptor