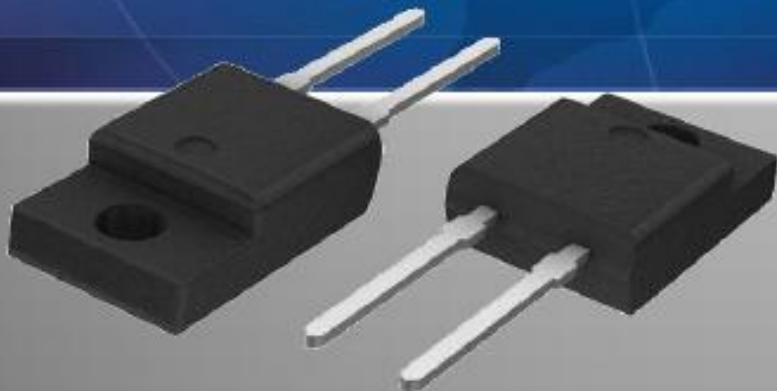
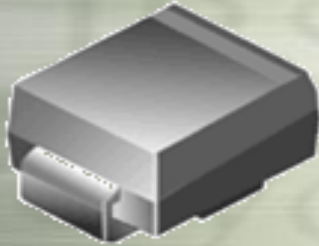


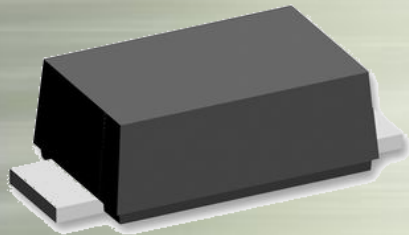
LK Series Products



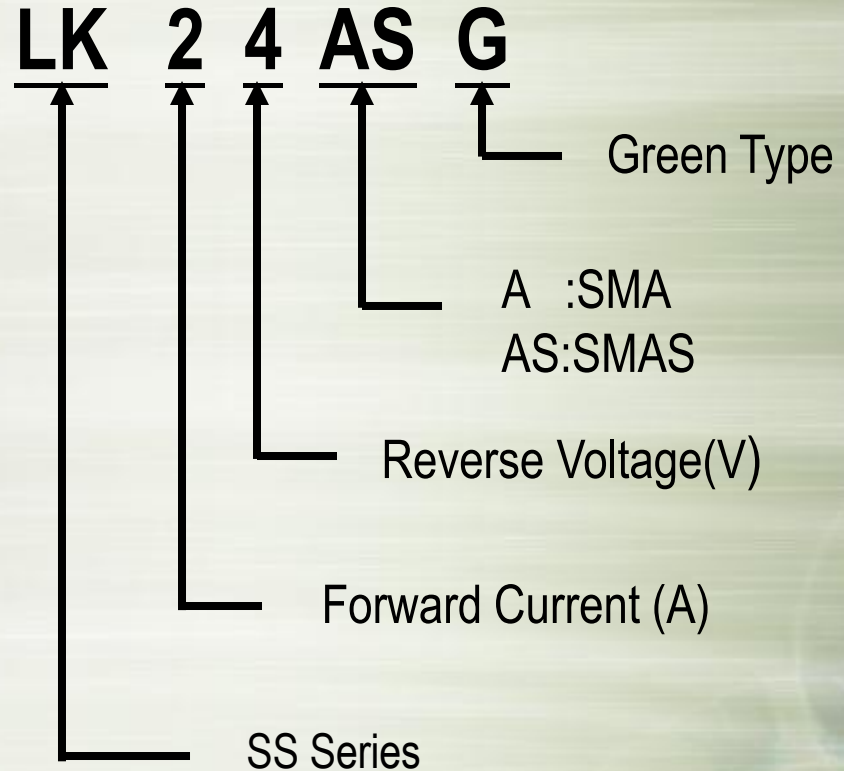
Product Part Number



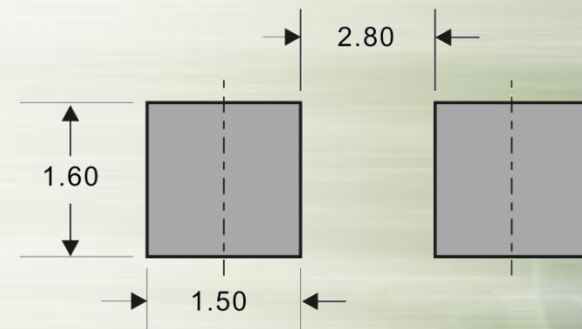
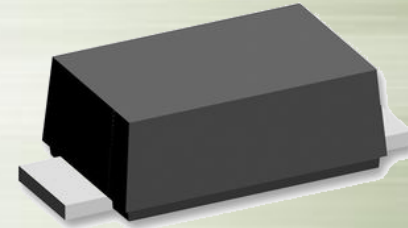
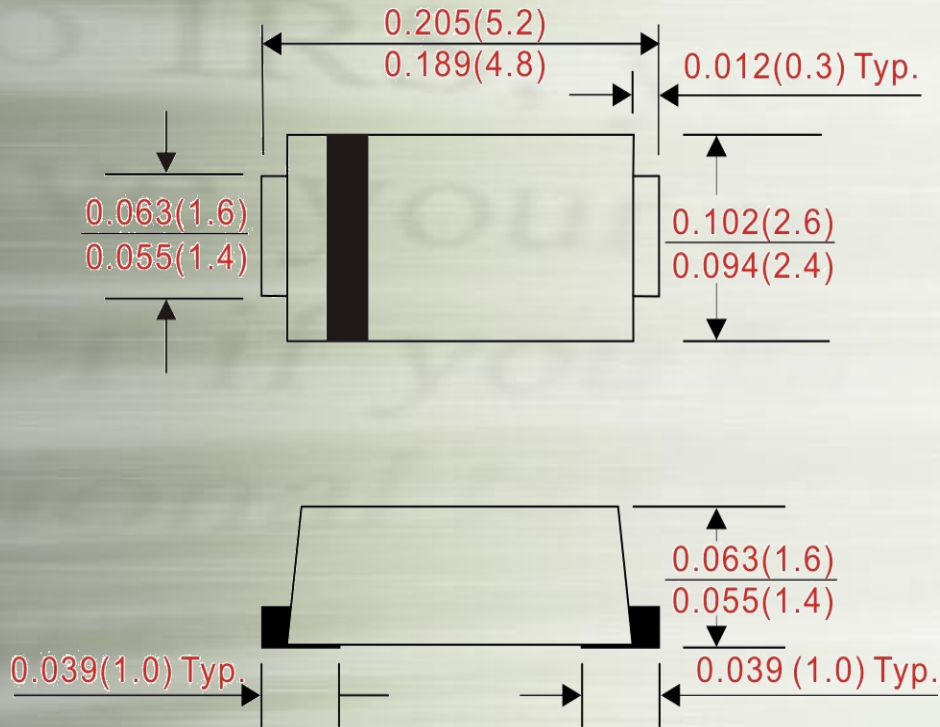
SMA Package



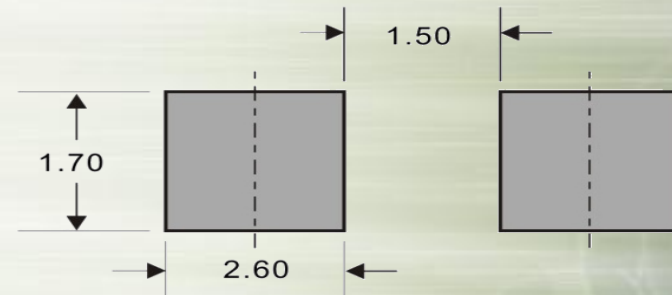
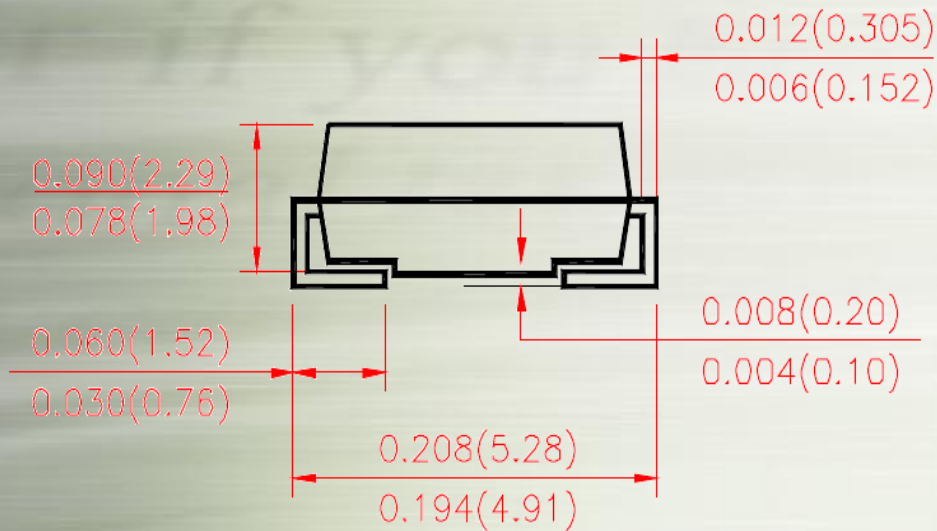
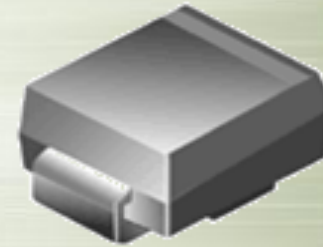
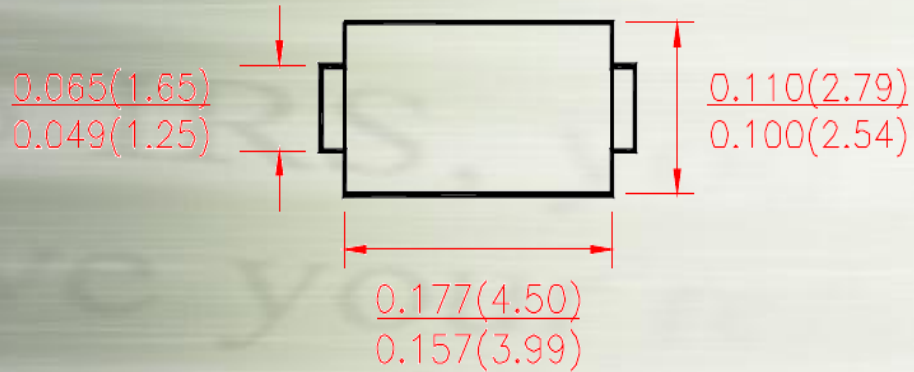
SMAS Package



SMAS Package Outline



SMA Package Outline



Product spec

Part Number	IO(A)	VR(V)	Max Forward Voltage @ 25C		Max Reverse Current@ 25C		Package
			VFM(V)	IFM(A)	IR(uA)	VR(V)	
LK16AG	1	60	0.5	1	500	60	SMA
LK16ASG	1	60	0.5	1	500	60	SMAS
LK24AG	2	40	0.4	2	500	40	SMA
LK24ASG	2	40	0.4	2	500	40	SMAS
LK34AG	3	40	0.4	3	500	40	SMA
LK34ASG	3	40	0.4	3	500	40	SMAS

Product Features

- Low forward voltage drop
- High Surge Capability and High Current Capability
- For Surface Mounted Applications
- High Conductance
- Guard Ring Construction for Transient Protection

Applications

Computer

Notebook
Desktop computer
Ultra book
Slim Computer
Motherboard

Communication

ADSL
Set-top Box
Wireless

Consumer

DVD Player
LED TV/Monitor
LCD TV/Monitor
Home Appliance
Audio applications
DC-DC Converter
AC-DC Converter
Electronic Toys
Adaptor